

Unilumin 洲明

SE060D-10A

光探头



Light Sensor

 SPECIFICATION PARAMETERS

Change History

Document Version	Release Date	Description
V1.1.2	2022-03-11	<ul style="list-style-type: none">• Added the certification related description.• Added the IP rating information.
V1.1.1	2021-02-06	Added the certification information.
V1.1.0	2020-05-22	Updated the cable length description.

Introduction

The SE060D-10A is a light sensor designed and produced by Unilumin. It can be connected to Unilumin sending cards, asynchronous cards or multifunction cards for ambient brightness monitoring, allowing for automatic brightness adjustment of LED display.

The sensor body of SE060D-10A is made of aluminum alloy. The sensor surface adopts micro-arc oxidation process, and therefore it is highly UV-resistant and will not be discolored. The joint between the sensor body and the male connector has a very deep groove and is extremely waterproof.

Certifications

EMC, RoHS, PFOS

If the product does not have the relevant certifications required by the countries or regions where it is to be sold, please contact NovaStar to confirm or address the problem. Otherwise, the customer shall be responsible for the legal risks caused or Unilumin has the right to claim compensation.

Features

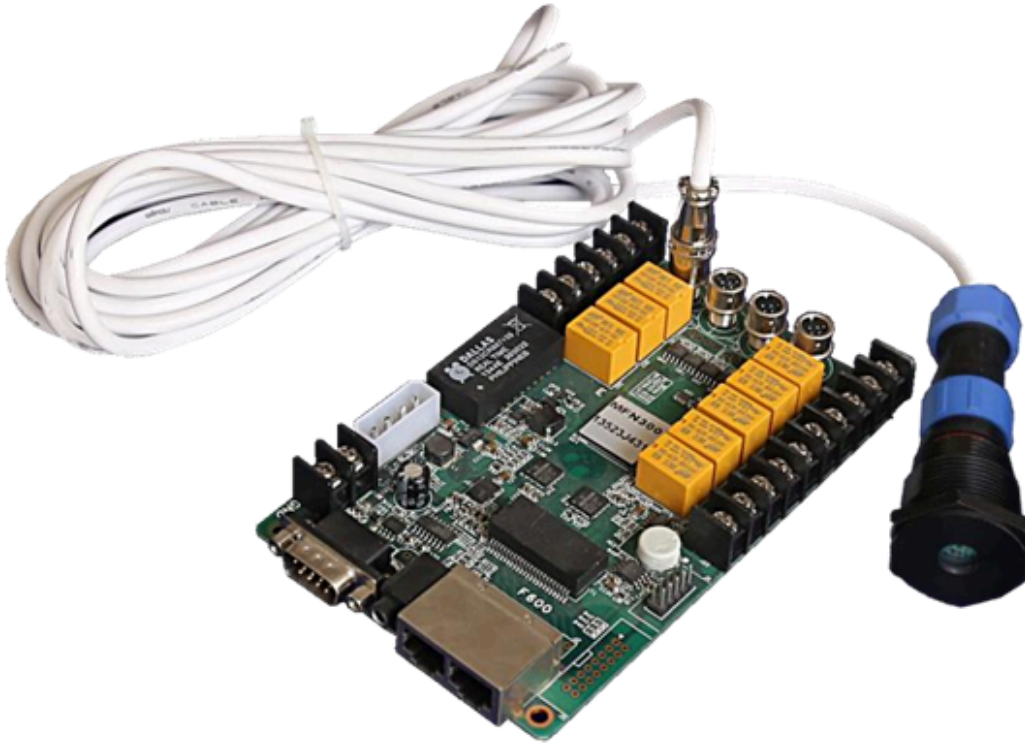
- Ambient brightness monitoring, allowing for automatic brightness adjustment of LED display
- Capable of connecting to sending cards (MSD300, MSD600, MCTRL300, etc.), asynchronous cards or multifunction cards
- Different cable lengths: 5 meters (SE060D-5A model), 10 meters (SE060D-10A model)
- Mildew, moisture and salt-mist resistant design, ideal for outdoor applications
- No external power supply required

Applications

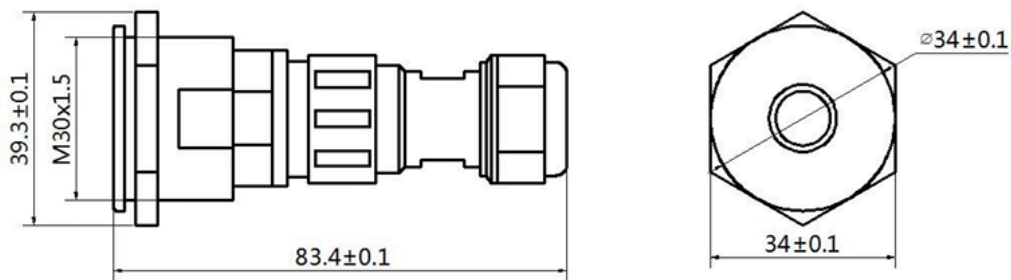
The SE060D-10A light sensor can work with devices that have light sensor connectors, such as sending cards, asynchronous cards and multifunction cards. It must be placed in the same environment with the LED display.

The connection between the light sensor and multifunction card is shown in Figure 1.

Product Picture



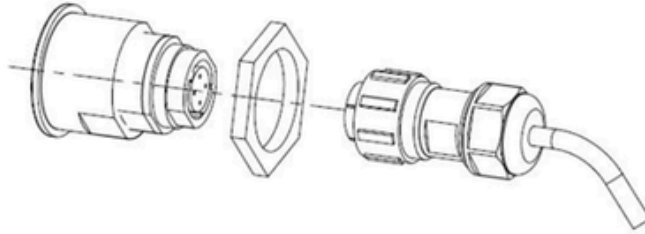
Dimensions



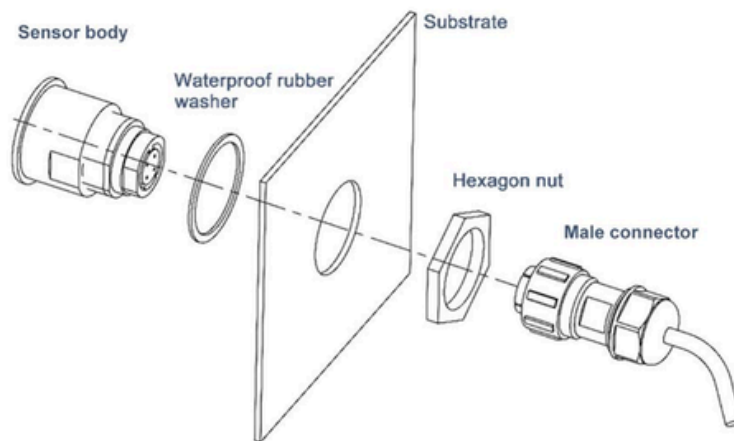
Unit: mm

Assembly

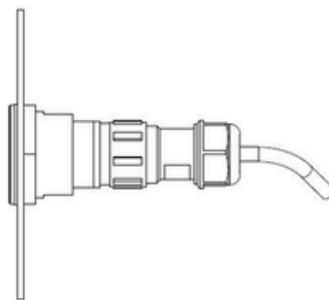
Preparation



Assembly



Complete



Specifications

Rated voltage	5 V DC
Operating temperature	-20°C to +70°C
Operating humidity	0% RH to 99% RH, non-condensing
Brightness measurement range	0 lux to 65535 lux
Cable length	5 meters (SE060D-5A model), 10 meters (SE060D-10A model)
IP rating	IP65